

RUMA



carisa
designer radiators

RUMA

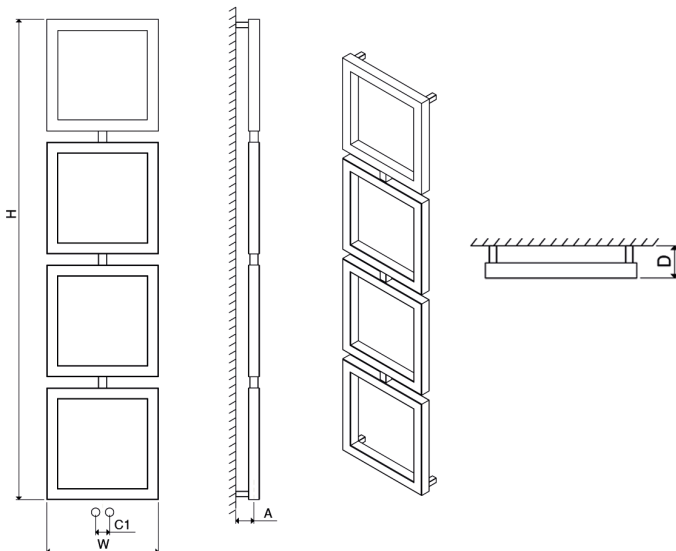
Material	Stock Finishes	Guarantee	Installation
Stainless Steel	PLS SEE COLOUR KEY CHART-Click for Link	20 Years	Vertical

PRODUCT CODE	Height (mm) H	Width (mm) W	Pipe Centers (mm) C1	Wall to pipe Centers A (mm)	Wall Distance D (mm)	Nett Weight (kg)	Water Content (lt)	Fuel Type	Heat Outputs	
									Watts	BTU
RUM 0400084002	840	400	50	65-85	85-105	10.8	5.1	C	403	1376
RUM 0400128003	1280	400	50	65-85	85-105	15.5	7.7	C	629	2145
RUM 0400172004	1720	400	50	65-85	85-105	15.5	10.2	C	792	2703

Please add finishing code
at the end of the product code

Code example : MAN 04701280 MRP

Fuel type i.e.
C: Central heating
E: Electrical heating
D: Dual heating (C+E)



A full range of made to order sizes available.

Please ask for details.

n = number of sections

Max. working pressure 5 bar

Max. working temperature 95 °C

Connections 1/2"

Pipe center C1 50 mm