

ROCHESTER



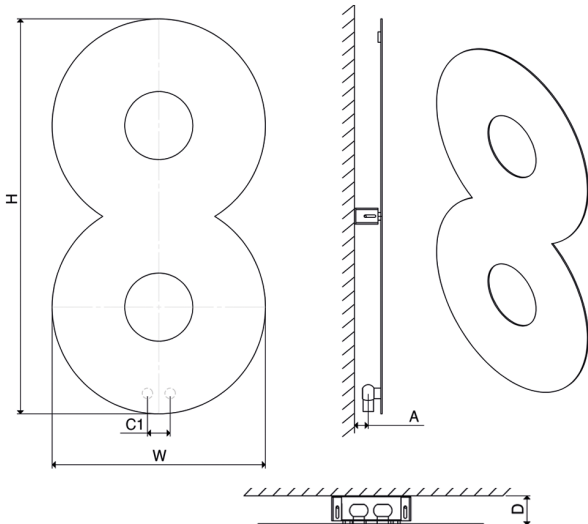
ROCHESTER

| | | | |
|-----------------|---|------------------|---------------------|
| Material | Stock Finishes | Guarantee | Installation |
| Mild Steel | PLS SEE COLOUR KEY CHART - Click for Link | 5 Years | Vertical |

| PRODUCT CODE | Height (mm) H | Width (mm) W | Sections n | Pipe Centers (mm) C1 | Wall to pipe Centers A (mm) | Wall Distance D (mm) | Nett Weight (kg) | Water Content (lt) | Fuel Type | Heat Outputs | |
|--------------|------------------|-----------------|---------------|-------------------------|--------------------------------|-------------------------|---------------------|-----------------------|-----------|--------------|------|
| | | | | | | | | | | Watts | BTU |
| ROC 04700470 | 470 | 470 | - | 50 | 31-51 | 61-81 | 3.5 | 0.2 | C/E | 202 | 689 |
| ROC 04700870 | 870 | 470 | - | 50 | 31-51 | 61-81 | 6.8 | 0.4 | C/E | 392 | 1337 |
| ROC 04701270 | 1270 | 470 | - | 50 | 31-51 | 61-81 | 10.1 | 0.6 | C/E | 583 | 1988 |

Please add finishing code at the end of the product code **Code example : ROC 04700470 TXB**

Fuel type i.e.
 C: Central Heating
 E: Electrical Heating
 D: Dual Heating (C+E)



| | |
|--------------------------|----------|
| Max. working pressure | 5 bar |
| Max. working temperature | 95 °C |
| Connections | ½" |
| Pipe center | C1 50 mm |

Please specify C or E with your order.
 D is not available.