

MAYRA



carisa
designer radiators

MAYRA

Material	Stock Finishes	Guarantee	Installation
Mild Steel	PLS SEE COLOUR KEY CHART - Click for Link	5 Years	Vertical Horizontal

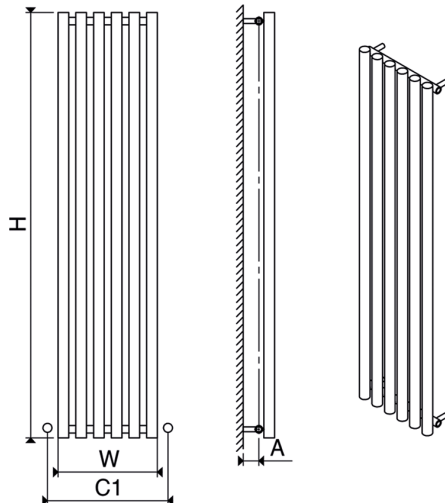
PRODUCT CODE	Height (mm)	Width (mm)	Sections	Pipe Centers (mm)	Wall to pipe Centers	Wall Distance	Nett Weight	Water Content	Fuel Type	Heat Outputs	
	H	W	n	C1	A (mm)	D (mm)	(kg)	(lt)		Watts	BTU
MYR 0270180004	1800	270	4	360	66-86	132-152	12.2	-	C	1621	5530
MYR 0420180006	1800	420	6	510	66-86	132-152	18.3	-	C	2317	7907
MYR 0720055010	550	720	10	810	66-86	132-152	10.5	-	C	1281	4371
MYR 1020055014	550	1020	14	1110	66-86	132-152	14.7	-	C	1797	6131

Please add finishing code at the end of the product code

Code example : MYR 1020055014 CHR

Fuel type i.e

C: Central Heating
E: Electrical Heating
D: Dual Heating (C+E)



Please ask for details.

n = number of sections

Max. working pressure

10 bar

Max. working temperature

95 °C

Connections

½"

Pipe centers

C1

W+90mm