

MANCHESTER



carisa
designer radiators

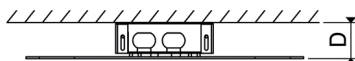
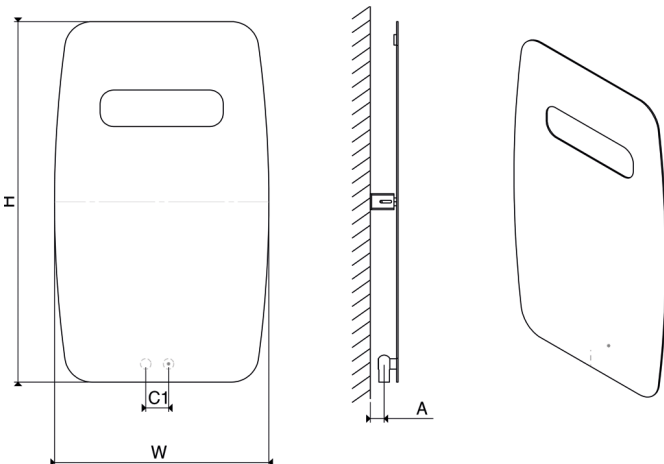
MANCHESTER

Material	Stock Finishes	Guarantee	Installation
Mild Steel	PLS SEE COLOUR KEY CHART - Click for Link	5 Years	Vertical

PRODUCT CODE	Height (mm)	Width (mm)	Sections	Pipe Centers (mm)	Wall to pipe Centers	Wall Distance	Nett Weight	Water Content	Fuel Type	Heat Outputs	
	H	W	n	C1	A (mm)	D (mm)	(kg)	(lt)		Watts	BTU
MAN 04700790	790	470	-	50	31-51	61-81	10.8	0.6	C/E	623	2124
MAN 04701190	1190	470	-	50	31-51	61-81	15.5	0.9	C/E	895	3052

Please add finishing code at the end of the product code **Code example : MAN 04701190 TXB**

Fuel type i.e., C: Central heating
E: Electrical heating
D: Dual heating (C+E)



Max. working pressure	5 bar
Max. working temperature	95 °C
Connections	½"
Pipe center	C1 50 mm

Please specify C or E with your order.
D is not available.