

MACK BATH HORIZONTAL



MACK BATH HORIZONTAL

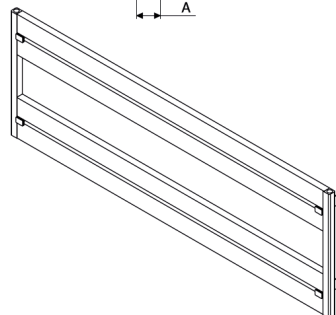
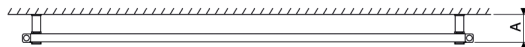
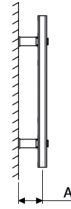
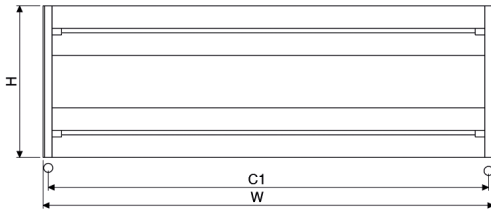
Material	Stock Finishes	Guarantee	Installation
Aluminium	PLS SEE COLOUR KEY CHART - Click for Link	5 Years	Horizontal

PRODUCT CODE	Height (mm) H	Width (mm) W	Sections n	Pipe Centers (mm) C1	Wall to pipe Centers A (mm)	Wall Distance D (mm)	Nett Weight (kg)	Water Content (lt)	Fuel Type	Heat Outputs	
										Watts	BTU
MCB 1500050504	505	1500	4	1475	79-99	93-113	7.8	0.9	C	1027	3492
MCB 1800050504	505	1800	4	1775	79-99	93-113	12	1.3	C	1233	4191

Please add finishing code at the end of the product code

Code example : MCB 1500050504 TXA

Fuel type i.e.,
C: Central heating
E: Electrical heating
D: Dual heating (C+E)



A full range of made to order sizes available.

Please ask for details.

n = number of sections

Max. working pressure

10 bar

Max. working temperature

95 °C

Connections

½"

Section width

75 mm

Section depth

32 mm

Pipe center

C1 W - 25 mm