

HALO



HALO

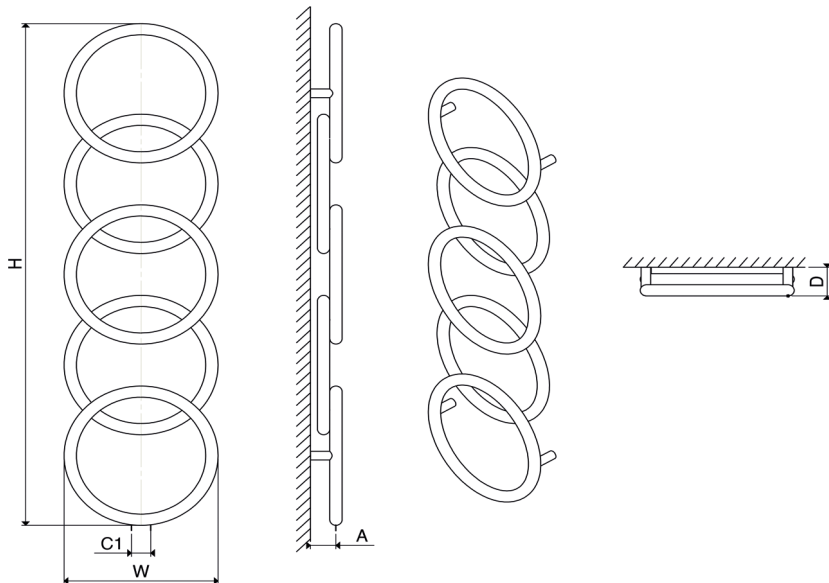
Material	Stock Finishes	Guarantee	Installation
Stainless Steel	PLS SEE COLOUR KEY CHART - Click for Link	20 Years	Vertical

PRODUCT CODE	Height	Width	Sections n	Pipe Centers (mm) C1	Wall to pipe	Wall	Nett	Water	Fuel	Heat Outputs	
	(mm) H	(mm) W			Centers	Distance				Weight	Content
					A (mm)	D (mm)	(kg)	(lt)			
HAL 0400093003	930	400	3	50	66-81	82-97	4.8	5.1	C	355	1212
HAL 0400147005	1470	400	5	50	66-81	82-97	8.0	8.5	C	588	2005

Please add finishing code at the end of the product code

Code example : HAL 0400093003 STP

Fuel type i.e C: Central Heating
E: Electrical Heating
D: Dual Heating (C+E)



A full range of made to order sizes available.

Please ask for details.

n = number of sections

Max. working pressure

10 bar

Max. working temperature

95 °C

Connections

½"

Pipe centers

C1

50mm