

FAME



FAME

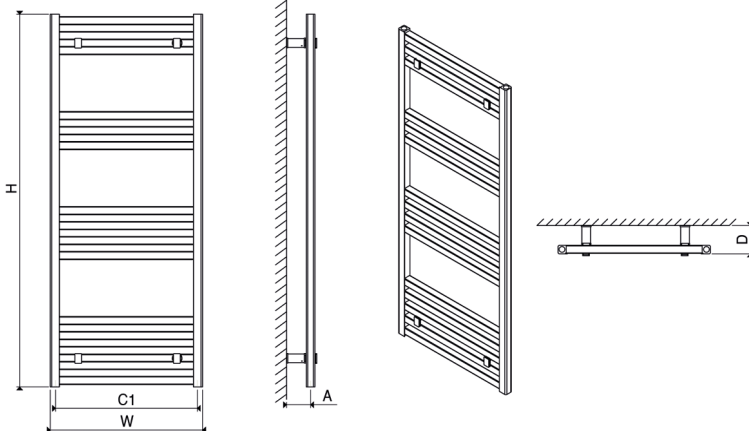
Material	Stock Finishes	Guarantee	Installation
Aluminium	PLS SEE COLOUR KEY CHART - Click for Link	5 Years	Vertical

PRODUCT CODE	Height (mm)	Width (mm)	Sections	Pipe Centers (mm)	Wall to pipe Centers	Wall Distance	Nett Weight	Water Content	Fuel Type	Heat Outputs	
	H	W	n	C1	A (mm)	D (mm)	(kg)	(lt)		Watts	BTU
FME 0500070010	700	500	10	475	79-99	93-113	4.3	1.3	D	746	2546
FME 0500122015	1220	500	15	475	79-99	93-113	7.1	1.9	D	1121	3824
FME 0500146019	1460	500	19	475	79-99	93-113	8.7	2.4	D	1419	4842
FME 0500174022	1740	500	22	475	79-99	93-113	10.2	2.9	D	1643	5606

Please add finishing code at the end of the product code

Code example : FME 0500146019 **TXB**

Fuel type i.e. C: Central heating
E: Electrical heating
D: Dual heating (C+E)



A full range of made to order sizes available.

Please ask for details.

n = number of sections

Max. working pressure 10 bar

Max. working temperature 95 °C

Connections 1/2"

Section width 27 mm

Section depth 28 mm

Pipe center C1 W - 25 mm