

ETAGE



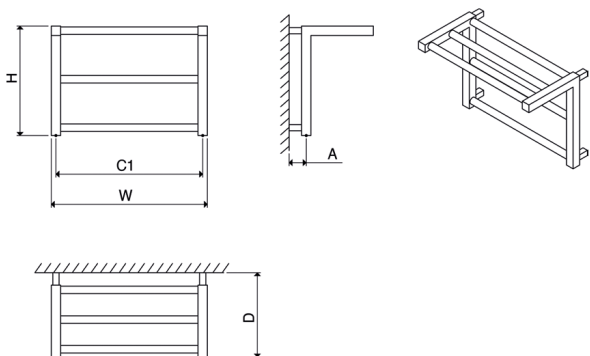
ETAGE

Material	Stock Finishes	Guarantee	Installation
Mild Steel	PLS SEE COLOUR KEY CHART - Click for Link	5 Years	Vertical

PRODUCT CODE	Height (mm)	Width (mm)	Sections n	Pipe Centers (mm) C1	Wall to pipe Centers	Wall Distance	Nett Weight (kg)	Water Content (lt)	Fuel Type	Heat Outputs	
	H	W			A (mm)	D (mm)				Watts	BTU
ETG 0500035005	350	500	5	470	55-70	270-290	3.0	-	C	230	786

Please add finishing code at the end of the product code **Code example : ETG 0500035005 CHR**

Fuel type i.e C: Central Heating
E: Electrical Heating
D: Dual Heating (C+E)



Please ask for details.

n = number of sections

Max. working pressure

Max. working temperature

Connections

10 bar

95 °C

½"