

EDINBURGH



EDINBURGH

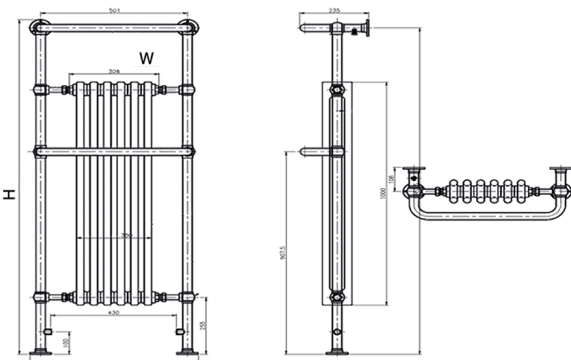
Material	Stock Finishes	Guarantee	Installation
Mild Steel	PLS SEE COLOUR KEY CHART - Click for Link	5 Years	Vertical

PRODUCT CODE	Height (mm)	Width (mm)	Sections	Pipe Centers (mm)	Wall to pipe Centers	Wall Distance	Nett Weight	Water Content	Fuel Type	Heat Outputs	
	H	W	n	C1	A (mm)	D (mm)	(kg)	(lt)		Watts	BTU
EDI 0575150006	1500	575	6	335	70-90	85-105	6.6	-	C	1280	4368

Please add finishing code at the end of the product code

Code example : EDI 0575150006 W

Fuel type i.e
 C: Central Heating
 E: Electrical Heating
 D: Dual Heating (C+E)



Please ask for details.

n = number of sections

Max. working pressure

10 bar

Max. working temperature

95 °C

Connections

1/2"