

CRUX



CRUX

Material	Stock Finishes	Guarantee	Installation
Stainless Steel	PLS SEE COLOUR KEY CHART - Click for Link	20 Years	Vertical

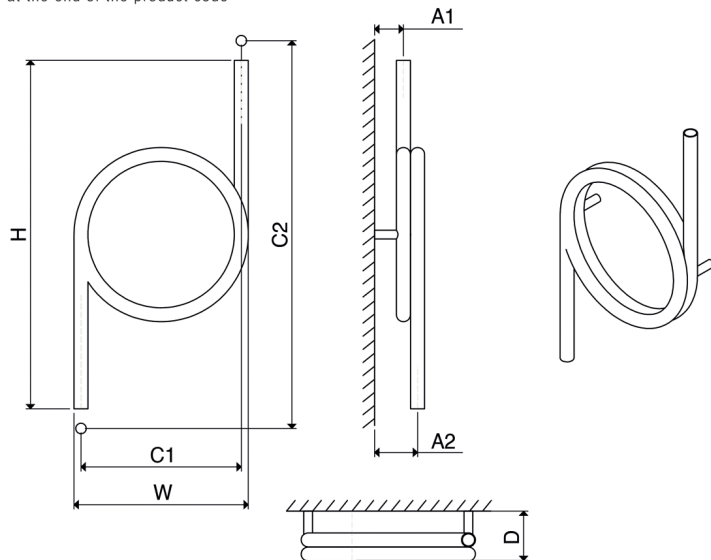
PRODUCT CODE	Height (mm) H	Width (mm) W	Sections n	Pipe Centers (mm)		Wall to pipe Centers (mm)		Wall Distance D (mm)	Nett Weight (kg)	Water Content (lt)	Fuel Type	Heat Outputs	
				C1	C2	A1	A2					Watts	BTU
CRX 0400080002	800	400	2	368	890	66	98	115-130	3.6	0.8	C	305	1040

Please add finishing code at the end of the product code

Code example : CRX 0400080002 MRP

Fuel type i.e

C: Central Heating
E: Electrical Heating
D: Dual Heating (C+E)



n = number of sections

Max. working pressure 10 bar

Max. working temperature 95 °C

Connections 1/2"

Vertical pipe center C2 890 mm

Pipe center C1 368 mm