

CROYDON



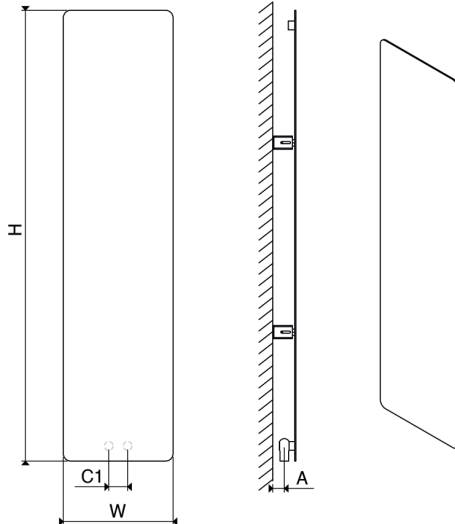
CROYDON

| | | | |
|-----------------|--|------------------|---------------------|
| Material | Stock Finishes | Guarantee | Installation |
| Mild Steel | PLS SEE COLOUR KEY CHART - Click for Link | 5 Years | Vertical |

| PRODUCT CODE | Height (mm) H | Width (mm) W | Sections n | Pipe Centers (mm) C1 | Wall to pipe Centers A (mm) | Wall Distance D (mm) | Nett Weight (kg) | Water Content (lt) | Fuel Type | Heat Outputs | |
|--------------|---------------------|--------------------|---------------|-------------------------------|-----------------------------------|----------------------------|------------------------|--------------------------|--------------|--------------|------|
| | | | | | | | | | | Watts | BTU |
| CRO 02900790 | 790 | 290 | - | 50 | 31-51 | 61-81 | 7.1 | 0.4 | C/E | 410 | 1398 |
| CRO 02900990 | 990 | 290 | - | 50 | 31-51 | 61-81 | 9.0 | 0.5 | C/E | 519 | 1770 |
| CRO 02901190 | 1190 | 290 | - | 50 | 31-51 | 61-81 | 10.7 | 0.6 | C/E | 618 | 2107 |
| CRO 02901790 | 1790 | 290 | - | 50 | 31-51 | 61-81 | 16,1 | 0.9 | C/E | 929 | 3168 |

Please add finishing code at the end of the product code **Code example : CRO 02901190 TXB**

Fuel type i.e., C: Central heating
E: Electrical heating
D: Dual heating (C+E)



| | |
|--------------------------|----------|
| Max. working pressure | 5 bar |
| Max. working temperature | 95 °C |
| Connections | ½" |
| Pipe center | C1 50 mm |

Please specify C or E with your order.
D is not available.

