

# ALIAS



 carisa

# ALIAS

## Material

Stainless Steel

## Stock Finishes

PLS SEE COLOUR  
KEY CHART - [Click for Link](#)

## Guarantee

20 Years

## Installation

Vertical

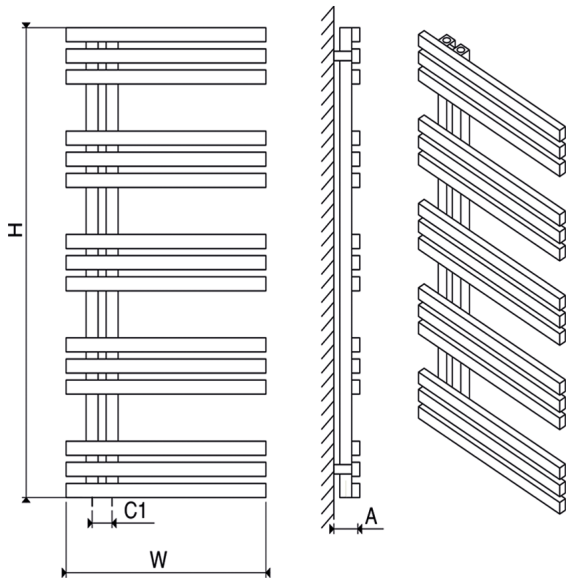
PRODUCT CODE	Height (mm) H	Width (mm) W	Sections n	Pipe Centers (mm) C1	Wall to pipe Centers A (mm)	Wall Distance D (mm)	Nett Weight (kg)	Water Content (lt)	Fuel Type	Heat Outputs	
										Watts	BTU
ALI 0500100015	1000	500	15	50	30-45	65-80	9.6	4.9	D	480	1639

Please add finishing code  
at the end of the product code

Code example : ALI 0500100015 STP

Fuel type i.e

C: Central Heating  
E: Electrical Heating  
D: Dual Heating (C+E)



A full range of made to order sizes available.

Please ask for details.

n = number of sections

Max. working pressure

10 bar

Max. working temperature

95 °C

Connections

1/2"

Pipe centers

C1

50mm