

ADAGIO



ADAGIO

Material
Stainless Steel

Stock Finishes
PLS SEE COLOUR
KEY CHART - [Click for Link](#)

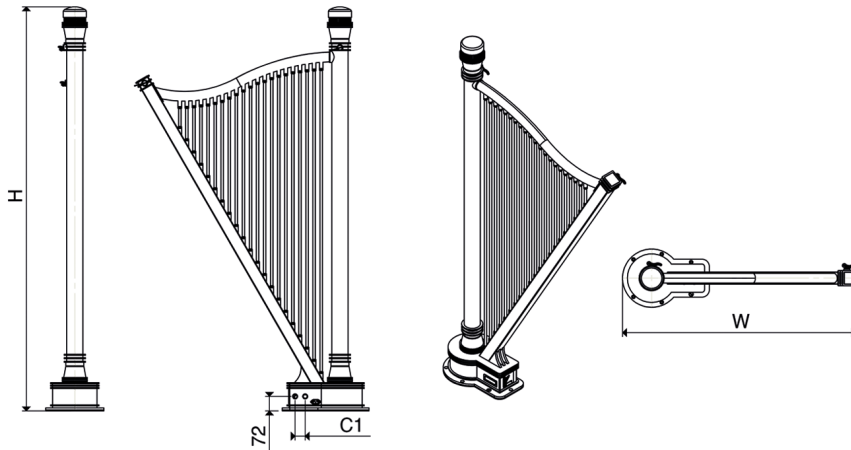
Guarantee
20 Years

Installation

PRODUCT CODE	Height (mm) H	Width (mm) W	Sections n	Pipe Centers (mm) C1	Wall to pipe Centers A (mm)	Wall Distance D (mm)	Nett Weight (kg)	Water Content (lt)	Fuel Type	Heat Outputs	
										Watts	BTU
ADA1150200021	2000	1150	21	50	-	-	37.0	8.1	D	1097	3744

Please add finishing code at the end of the product code **Code example : ADA 1150 2000 21 STP**

Fuel type i.e
C: Central Heating
E: Electrical Heating
D: Dual Heating (C+E)



Max. working pressure 10 bar
Max. working temperature 95 °C
Connections ½"
Pipe centers C1 50 mm

C1