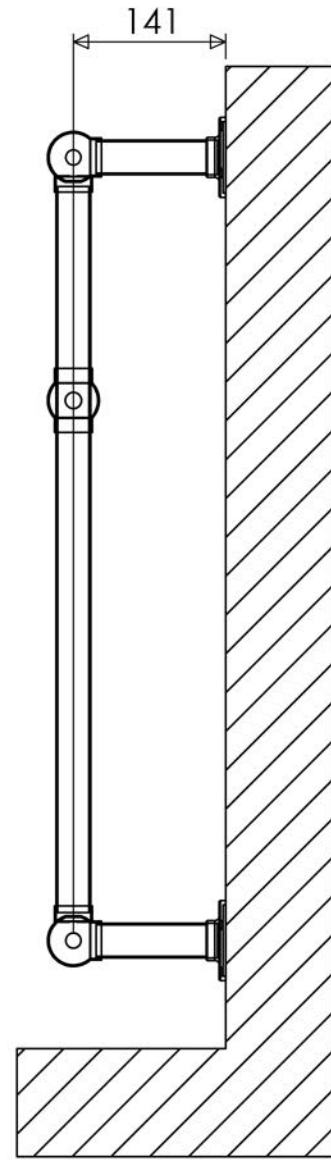
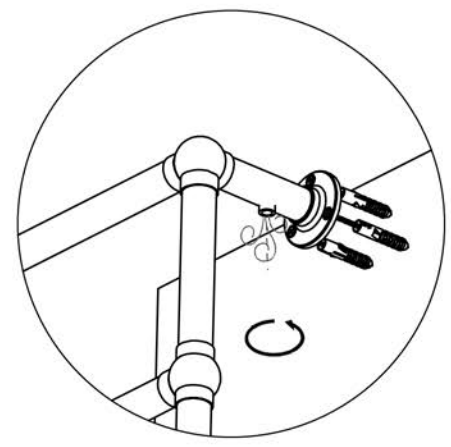
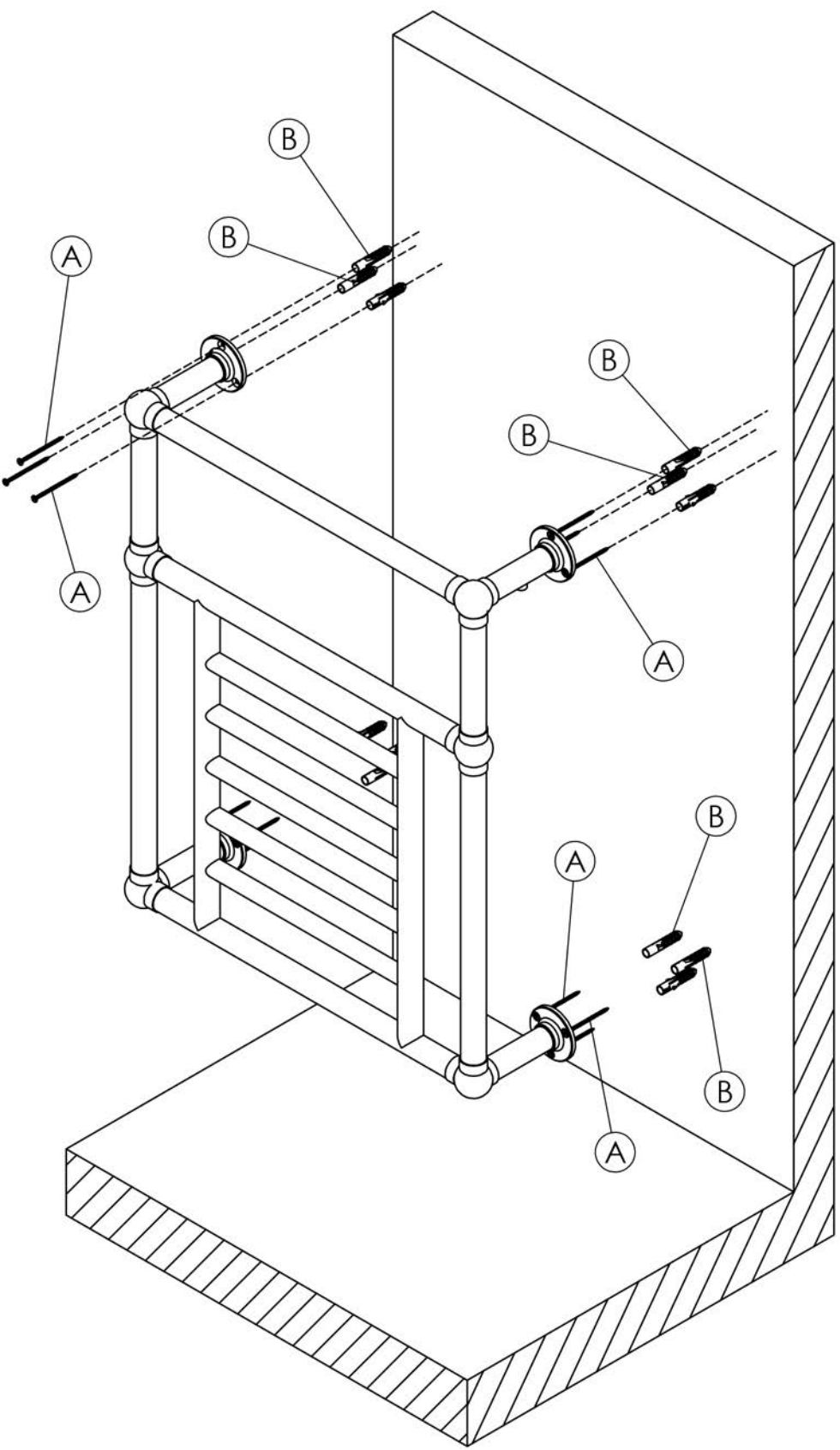


when using  
Carisa radiator  
valves



| Key | Component | Qty |
|-----|-----------|-----|
|-----|-----------|-----|

-  **A** Screw 12
-  **B** Wall Plug 12



### Assembly Instructions

Drill twelve holes on the wall and the floor.

Put the wall plug (B) into the hole.

Set the mounting brackets by centering holes on the wall and floor.

The settled brackets are fasten via twelve screws (A) on the wall.