
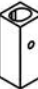



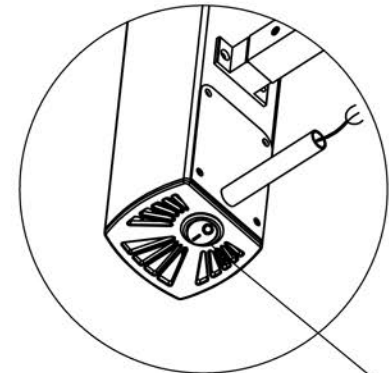


Key	Component	Qty
	A Stud	2
	B Square Wall	2
	C Grub Screw	2
	D Screw-5,5x45mm	2
	E Wall Plug	2
	F Power Cable	1



Assembly Instructions

Accurately mark out bracket holes on wall using spirit level.

Power cable should be inside wall and not visible, Please set your electric supply line under wall and then drill a hole for power cable connection (suggested helping of electric technician).

Drill two 8mm holes for each brackets (B).

Put the wall plugs (E) into the holes.

Screw brackets (B) into wall plugs (E) with \varnothing 5,5 x 45 mm screws (D).

Fix the studs (A) on the brackets which are back of radiator by turning with hand (top and bottom).

Make power cable connection with help of electrical technician securely.

Finally, Hang radiator by centering the studs (A) into the brackets (B).

Set the wall distance, be sure of power cable is not visible. Secure the studs (D) with the grub screw (C).