




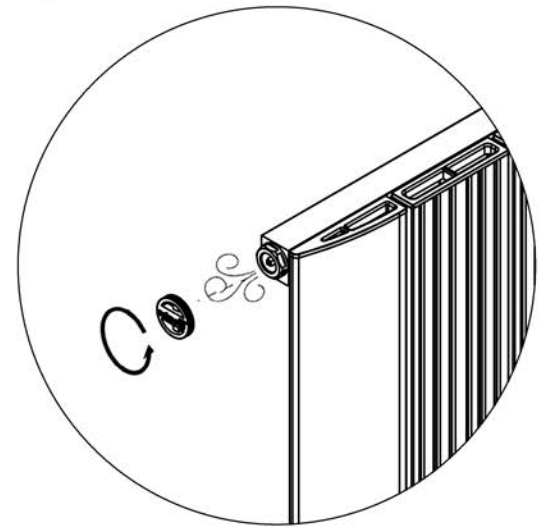


| Key | Component | Qty |
|---|---------------------------------|-----|
|  | A Bleeding Valve Key | 1 |
|  | B Bleeding Valve 1/2 " | 1 |
|  | C Blind Tap | 1 |
|  | D Friction Cups/Cushions | 4 |
|  | E Left Bracket | 2 |
|  | F Right Bracket | 2 |
|  | G Screw-5,5x45mm | 8 |
|  | H Wall Plug | 8 |



Assembly Instructions

- Fit bleending valve (B) & blind tap (C).
- Use Carisa bleeding valve key (A) to turn bleeding valve (B).
- Accurately mark out bracket holes on wall using spirit level.
- Drill four 8mm diameter holes for upper brackets (E) and four 8mm diameter holes for bottom brackets(F).
- Friction cups (D) **MUST** be fitted to each mounting brackets (E,F) to suppress potential noise.
- Screw brackets (E,F) into wall plugs (H) with 5,5mm diameter x 45mm screws (G).
- Hang radiator by sliding the bosses on the back of the radiator into brackets (E,F).