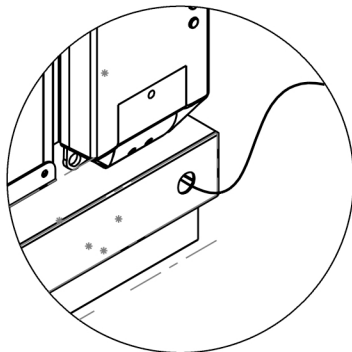
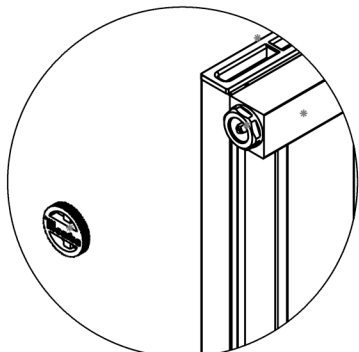


Key	Component	Qty
	A Bleeding Valve Key	1
	B Bleeding Valve 1/2"	1
	C Blind Tap	1
	D Friction Cups/Cushions	4
	E Left Bracket	2
	F Right Bracket	2
	G Screw-22x45mm	8
	H Wall Plug	8
	I Thermostat	1



### Assembly Instructions

Fit bleeding valve (B) & blind tap (C).

Use Carisa bleeding valve key (A) to turn bleeding valve (B).

Accurately mark out bracket holes on wall using spirit level.

Drill four 8mm diameter holes for left brackets (E) and four 8mm diameter holes for right brackets (F).

Friction cups (D) MUST be fitted to each mounting brackets (E,F) to suppress potential noise.

Screw brackets (E,F) into wall plugs (H) with 22mm x 45mm screws (G).

Hang radiator by sliding the bosses on the back of the radiator into brackets (E,F).

**“ Attention! Radiator cannot be fitted upside down. The power cable and control modem are down side. Otherwise, product can has breakdown and will be considered out of warranty.”**